

**BUJIAS DE PRE Y POST
CALENTAMIENTO**
HESCHER

REGULADAS POR COBALTO

HC110	11V
T:69mm / L:24mm / C:32mm / Ø:6mm ROSCA : M12X1.25 MERCEDES BENZ MB180/ FIAT DUCATO/ PEUGEOT BOXER/ PARTNER/ SUZUKI VITARA 1.9D 0100221133	
BUJÍAS HESCHER	

HC132	11V
T:104mm / L:27mm / C:63.5mm / Ø:5mm ROSCA : M10X1.00 FORD RANGER 2.2 TDCI/ 3.2 TDCI/ FORD TRANSIT 2.2 TDCI 0100266038	
BUJÍAS HESCHER	

HC139	11.5V
T:70mm / L:22mm / C:32mm / Ø:6mm ROSCA : M12X1.25 SPRINTER / VITO / MBB 180D / KORANDO / MUSSO/ REXTON/ 0100220176	
BUJÍAS HESCHER	

HC148	11V
T:96mm / L:23.5mm / C:53mm / Ø:5mm ROSCA : M10X1.00 RENAULT CLIO 1.9D/ KANGOO 1.9D/ TRAFIC 1.9D 0100226245	
BUJÍAS HESCHER	

HC170	11V
T:89mm / L:21.5mm / C:54mm / Ø:5mm ROSCA : M10X1.25 HYUNDAI H1 2.5D/ H100 2.5D/ MITSUBISHI L200 2.5 SPORT/ L200 D 0100226233	
BUJÍAS HESCHER	

HC173	11V
T:80mm / L:18.5mm / C:48mm / Ø:5mm ROSCA : M10X1.25 CHEVROLET COMBO 1.7D/ ASTRA 1.7D/ CORSA 1.7D 0100226208 / 94481972	
BUJÍAS HESCHER	

HC175	11V
T:80mm / L:21.5mm / C:45.5mm / Ø:5mm ROSCA : M10X1.25 FORD RANGER 2.5D/ KIA BESTA 2.2/ KIA K2700/ MAZDA B2500/ 0100226336	
BUJÍAS HESCHER	

HC180	11V
T:85mm / L:19.5mm / C:52.5mm / Ø:5mm ROSCA : M10X1.25 NISSAN TERRANO II 2.7TD KIA SORENTO 2.5 CRDi/ 0100226171	
BUJÍAS HESCHER	

HC192	11V
T:88mm / L:22.5mm / C:52.5mm / Ø:5mm ROSCA : M10X1.25 HYUNDAI H100 2.5D/ H1 2.5TD/ STAREX 2.5D MITSUBISHI L200 2.5D/ NISSAN TERRANO 2.7TD/ 0100224194	
BUJÍAS HESCHER	

HC223	11V
T:82mm / L:16.5mm / C:45.5mm / Ø:5mm ROSCA : M10X1.25 KIA SPORTAGE / BESTA/ MAZDA 0250202090	
BUJÍAS HESCHER	

HC237	11V
T:85mm / L:18mm / C:53mm / Ø:5mm ROSCA : M10X1.25 CHEVROLET CORSA 1.7D/ COMBO 1.7D/ VECTRA 1.7D/ ASTRA 1.7D/ 0100226495	
BUJÍAS HESCHER	

HC241	12V
T:151mm / L:35mm / C:96mm / Ø:4/3.3mm MOTORES PERKINS 0100226515	
BUJÍAS HESCHER	

HC325	11V
T:134mm / L:24mm / C:95mm / Ø:5mm ROSCA : M12X1.25 CHEVROLET DMAX 3.0 0100226515	
BUJÍAS HESCHER	

HC351	11V
T:119mm / L:27mm / C:70mm / Ø:4mm ROSCA : M8X1.00 CHEVROLET COBALT 1.3 TD/ SPIN 1.3TD/ FIAT STRADA 1.3JTD/ MAHINDRA SCORPIO 2.6 CRDE 0100276007	
BUJÍAS HESCHER	

HC514 **11V**




T:176mm / L:21mm / C:140.5mm / Ø:5mm
 ROSCA : M10X1.25
 NISSAN NAVARA 2.5TD/ NP300 2.5TD/
 PATHFINDER 2.5DCi/ XTRAIL 2.2 Di/

0100800031 **HESCHER**

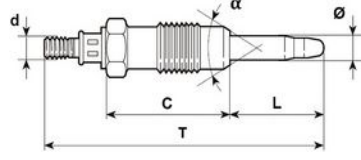
HC531 **11V**




T:134mm / L:30mm / C:83mm / Ø:5mm
 ROSCA : M10X1.25
 KIA CERATO 1.6 CRDi

0100226522 / 0250212011 **HESCHER**

HC533 **11V**

T:79mm / L:30.5mm / C:35mm / Ø:5mm
 ROSCA : M10X1.25
 HYUNDAI H1 2.5 CRDi/
 KIA SORENTO 2.5 CRDi/

0100222106 **HESCHER**

HC541 **11V**




T:153.5mm / L:31mm / C:101mm / Ø:4/3.5mm
 ROSCA : M10X1.25
 HYUNDAI H1 2.5 CRDi/
 KIA SORENTO 2.5 CRDi/

0100222106 **HESCHER**

HC542 **11V**




T:150mm / L:24mm / C:105mm / Ø:4mm
 ROSCA : M10X1.00
 SSANGYONG ACTYON 2.0 Xdi/ KYRON 2.0/
 KYRON 2.7 Xdi/ REXTON 2.7 Xdi/

0100226493 **HESCHER**


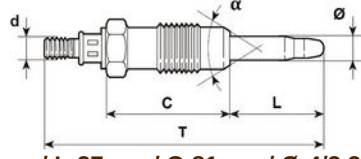
HC601 **4.4V**




T:151mm / L:35mm / C:96mm / Ø:4/3.3mm
 ROSCA : M10X1.00
 FORD RANGER 2.2 TDCI/ 3.2 TDCI/
 FORD TRANSIT 2.2 TDCI

0100266038 **HESCHER**

HC602 **4.4V**

T:130mm / L:27mm / C:81mm / Ø:4/3.3mm
 ROSCA : M10X1.00
 VW AMAROK 2.0 TDI/ TIGUAN 2.0 TDI/
 TOUAREG 3.0 TDI/ VENTO 2.0 TDI/ AUDI

0100266014 **HESCHER**

HC620 **11V**




T:170mm / L:31mm / C:117.5mm / Ø:4/3.3mm
 ROSCA : M10X1.25
 MITSUBISHI L200 TRITON 3.2L DI-D

0250523004 **HESCHER**

HC636 **4.4V**




T:156mm / L:26mm / C:110mm / Ø:4/3.3mm
 ROSCA : M10X1.25
 PEUGEOT PARTNER 1.9D/
 SKODA OCTAVIA 2.0 Tdi/
 SSANGYONG REXTON 2.0 Xdi

0100266044 **HESCHER**

